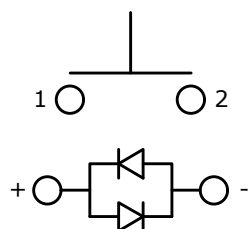


RECOMMENDED
PANEL CUT-OUT

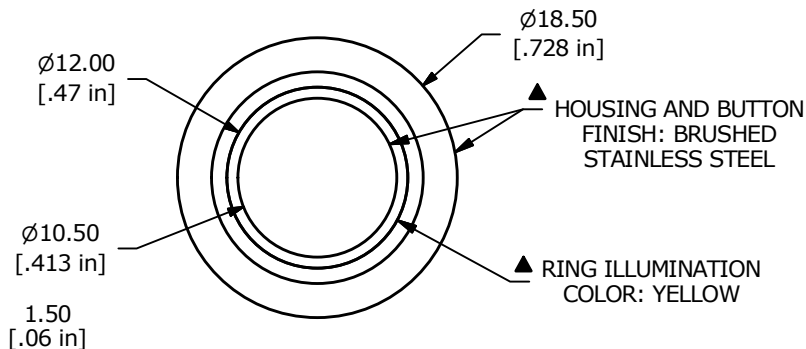


▲ SCHEMATIC
OFF - (ON)

() DENOTES MOMENTARY FUNCTION

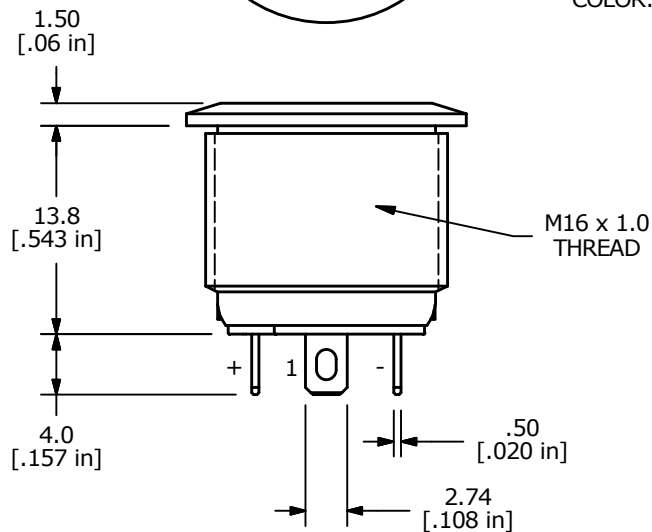
NOTE:

1. ALL DIMENSIONS IN MM [INCH]
2. GENERAL TOLERANCE: X.X = ± 0.4
X.XX = ± 0.25
3. TERMINAL NUMBERS FOR REF ONLY
4. CONTACT MATERIAL: SILVER PLATED
5. RATING: 2A 36VDC
6. ELECTRIC LIFE: 200,000
7. INSULATION RESISTANCE: 1,000M Ω MIN @ 500VDC.
8. DIELECTRIC STRENGTH: 2,000VAC MIN. FOR 1 MINUTE
9. CONTACT RESISTANCE: 50m Ω MAX. @ 1A 12VDC
10. OPERATING TEMP.: -20°C to 70°C
11. TRAVEL: 2.0mm
12. ▲ DENOTES CRITICAL PARAMETER.
13. ILLUMINATION COLOR: YELLOW
14. HARDWARE SUPPLIED: O-RING AND HEXNUT (NOT SHOWN)
- ▲ 15. ILLUMINATION VOLTAGE RATING: 1.7 - 2.5V @ 20 mA
16. 2011/65/EC (ROHS) COMPLIANT
17. INGRESS PROTECTION: IP67

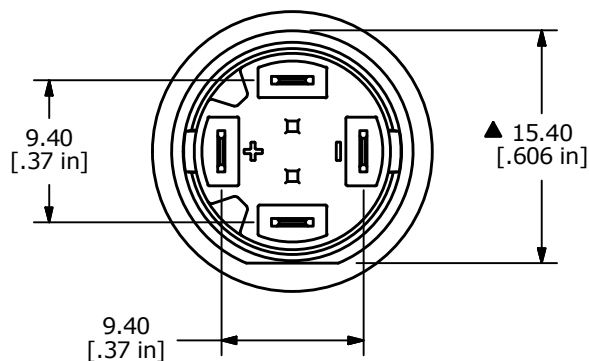
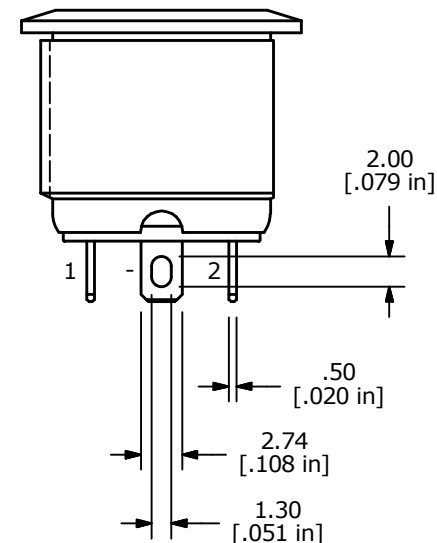


HOUSING AND BUTTON
FINISH: BRUSHED
STAINLESS STEEL

▲ RING ILLUMINATION
COLOR: YELLOW



M16 x 1.0
THREAD



TITLE PVA6FE24S51

A	23392	NEW RELEASE	6/8/18	MJR
REV	PCR NO	DESCRIPTION	DATE	BY

SCALE	DATE	DR	DWG	REV
2:1	6/8/2018	MJR	T960028	A

THE INFORMATION CONTAINED IN THIS DOCUMENT IS PROPRIETARY
TO E-SWITCH AND IS NOT TO BE COPIED OR TRANSFERRED